



DZG Metering GmbH

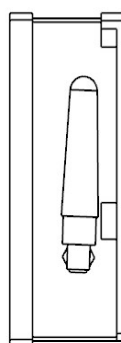
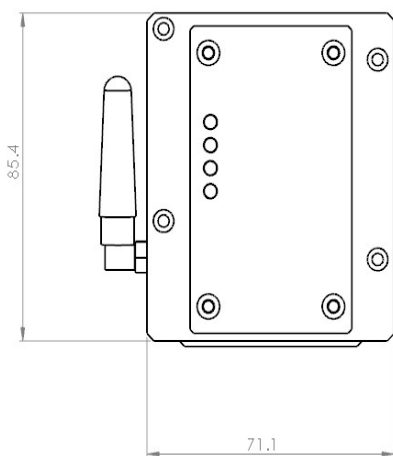
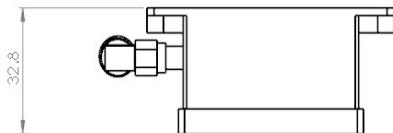
KM05-L (3G Modem)

Communication Modem

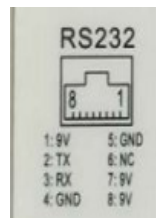


1. Supports Dual-Band UMTS/HSPA+ 900/2100MHz and Quad-Band GSM/GPRS/EDGE 850/900/1800/1900MHz
2. Transparent data transmission, data terminal can be always be online or a selected operational mode.
3. Supports VPN (Virtual Private Network), which means the APN (Access Point Name) can be set.
4. Supports a data communication center which has dynamic or static IP address.
5. Supports remote configuration and maintenance
6. Supports local configuration and maintenance
7. LEDs used to indicate operation status
8. SMS (Short Message Service), support PDU and Block mode, compliant with GSM07.05 standard
9. Specifications for Data transfer:
 - HSPA+ - Max. 14.4Mbps(DL), Max.5.76Mbps(UL)
 - WCDMA - Max.384Kbps(DL), Max.384Kbps(UL)
 - EDGE Class - Max. 236.8Kbps(DL),Max. 236.8Kbps(UL)
 - GPRS- Max. 85.6Kbps(DL), Max. 85.6Kbps(UL)
10. The AT command set conforms to Hayes 3GPP, TS 27.007, TS 27.005
11. Standard SIM card interface (3V)
12. Short message service: Point to Point and Cell Broadcast, Supports TEXT and PDU mode

Overall dimension(mm)



Connection diagram





DZG Metering GmbH

KM05-L(3G Modem)

Communication Modem

Item	Legal Directive/Standard	Requirement/description
1	EN60950-1	
2	EN62311:2008	
3	EN301 489-1	
4	EN301 489-24	
5	EN301 908-1	
6	EN301 908-2	

Technical Data

Type	Communication Modem	
Operation temperature	-30°C to +75°C	
Humidity range	10%RH To 90%RH,no condensation	
Operation Voltage	DC 9V - 12V	
Current	3.8mA maximum in idle mode, average 350mA when data communication	
Antenna	SMA(Female) connector, 50 ohm GSM antenna	
Operation status indicators		
1.RUN:		
LED behavior	Modem status	
1s on/1s off	idle	
On	network connected	
2.TXD:		
LED behavior	Module Status	
ON	Modem sending data to ME.	
3.RXD:		
LED behavior	Module Status	
ON	Modem receiving data to ME.	
4.GPRS		
LED behavior	Module Status	
Off	Limited Network Service: No SIM card inserted or no PIN entered, or network connection is in progress.	
800ms ON, 800ms OFF	Registered network	
200ms ON, 200ms OFF	Data Transmit	
Permanently on	Network connected	