

**Metering Function:**

- Active energy (import / export / total absolute) register

**Instantaneous Parameter Measurements:**

- Voltage, current, frequency, power factor and power

**LCD Display:**

- LCD display main value with 6 digits
- LCD dimension: 65mm × 23mm
- Digit size: 11mm × 5mm
- Normal Mode Display (6 digits for energy display)
- Dial Test Mode Display (3 digits with 3 decimals places)
- LCD is equipped with backlight

**Anti Tamper Features:**

- Sealing of meter housing
- Breakable sealing screw for meter cover
- Security sticker at both side of the meter
- Indication for reverse current
- Abnormal detection (over current, under voltage, etc..)



**ACCURACY CLASS 1.0**

# SC7

## SINGLE PHASE ELECTRONIC ENERGY METER



### Main Parameters

Accuracy Class	Active Class 1.0
Rated Voltage	240 V
Rated Current (max)	20 (100) A
Frequency	50 Hz
Static Power Consumption	< 2 W, 10 VA
Class of Insulation	II
Degree of Protection	IP54
Communication Interface	Optical port

### EMC Properties

Isolation	4kV AC, 50 Hz, 1 min
High Voltage	Rise/fall time = 1.2/50µs and voltage = 10kV

### Display

LCD	6 digits (in Dial Test mode, display energy value with 3 decimals)
Life Cycle	10 years

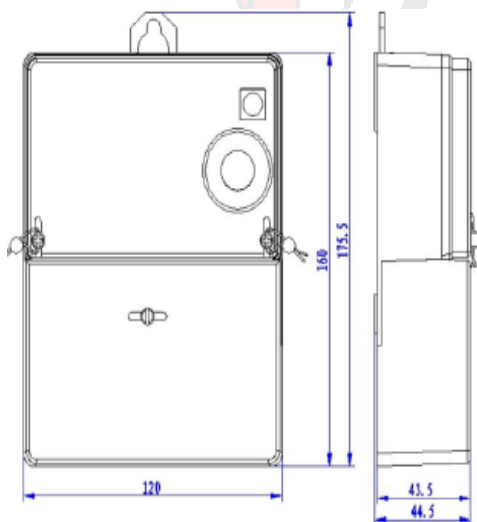
### Optical Test & Function Indicator

Meter constant for LED	1000 imp/kWh
Meter constant for Output Pulse	1000 imp/kWh

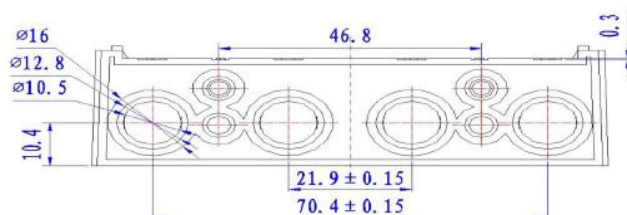
### Dimensions

Dimension	Length x Width x Height = 175.5mm x 120mm x 44.5mm
Weight	approx 0.6 kg

Overall Dimensions (mm)



Terminal Block



Terminal Cover

