



DZG Metering GmbH

KM08-LTE (4G Modem)

Communication Modem



1. Supports mode:
 -4G Band :B1, B3, B5,B7, B8,B20(FDD-LTE) and B40(TDD-LTE)
 -Dual-Band UMTS/HSPA+ 900/2100MHz
 -Quad-Band GSM/GPRS/EDGE 850/900/1800/1900MHz
 -4G/3G/GPRS can be automatically selected according to the network quality, also can be manually selected either only 4G or only 3G or only GPRS.

2. Transparent data transmission, data terminal can be always be online or a selected operational mode.

3. Supports VPN (Virtual Private Network), which means the APN (Access Point Name) can be set.

4. Supports a data communication center which has dynamic or static IP address.

5. Supports remote and local configuration and maintenance.

6. LEDs used to indicate operation status.

7. SMS (Short Message Service), support PDU and Block mode, compliant with GSM07.05 standard.

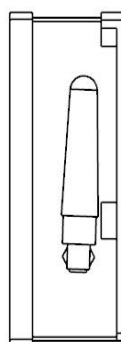
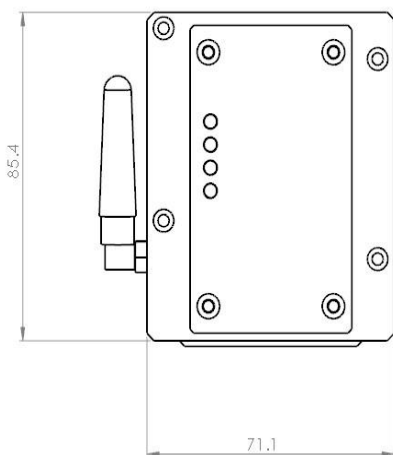
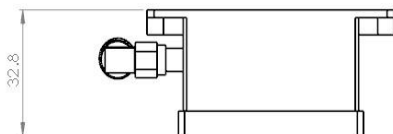
8. Standard SIM card interface (3V).

9. Short message service: Point to Point and Cell Broadcast, Supports TEXT and PDU mode.

10. Equips one USB port to configure the module locally.

11. Provide backup power(super capacitor) for module operation in case of no external power from meter.

Overall dimension(mm)



Connection diagram





DZG Metering GmbH

KM08-LTE(4G Modem)

Communication Modem

Item	Legal Directive/Standard	Requirement/description
1	EN60950-1	
2	EN62311	
3	EN301 489-1	
4	EN301 489-52	
5	EN301 908-1	
6	EN301 908-2	
7	EN301 908-13	

Technical Data

Type	Communication Modem
Operation temperature	-30°C to +75°C
Humidity range	10%RH To 90%RH,no condensation
Operation Voltage	DC 9V - 12V
Current	3.8mA maximum in idle mode, average 350mA when data communication
Antenna	SMA(Female) connector
Operation status indicators	
1.RUN:	
LED behavior	Modem status
1s on/1s off	idle
On	network connected
2.TXD:	
LED behavior	Module Status
ON	Modem sending data to meter.
3.RXD:	
LED behavior	Module Status
ON	Modem receiving data to meter.
4.GPRS	
LED behavior	Module Status
Off	Limited Network Service: No SIM card inserted or no PIN entered, or network connection is in progress.
200ms ON, 1800ms OFF	Registered network
Permanently on	Standby mode